



RS-485 TO MICRO USB CONVERTER

CATALOGUE

INDEX

INDEX	2
INTRODUCTION	3
KEY FEATURES.....	3
OPTIONAL FEATURES	3
DIMENSIONS.....	4
CONNECTION DIAGRAM	4

INTRODUCTION

The CRSU is a converter developed to facilitate communication between devices with an RS-485 interface and equipment with a USB connection, such as computers, notebooks and servers. It provides secure, stable and efficient integration into industrial automation, control and monitoring systems, ensuring accurate data conversion without loss of quality.

With high reliability and immunity to electromagnetic interference, the CRSU is ideal for connecting serial equipment to PCs, notebooks, and servers, eliminating the need for native serial ports and providing a practical solution for data communication in industrial and commercial environments. Compatible with communication protocols in the RS485 standard (ANSI/TIA/EIA-485-A two-wire), and also with optical fiber, which makes the network totally immune to electrical noise, electromagnetic induction, lightning strikes and voltage surges, increasing the reliability of data traffic, communication speed, and distance between IEDs and the data server or SCADA system.

The CRSU was built in compliance with strict quality standards and uses state-of-the-art electronic components (SMD), its hardware was designed to withstand severe working conditions, and can be installed directly in power substation panels. Meets the levels of demand, supportability and reliability according to IEC, DIN, IEEE, ABNT standards.

KEY FEATURES

- Compact housing with 22.5x100x113.5 mm in ABS for DIN rail 35 mm;
- Powered by USB port < 200 mA;
- Communication speed from 1,200 to 115,200 bps;
- Maximum cable length 1,200 m;
- Indication with LEDs of on, transmission, data reception and link;
- Transmission Mode: Half Duplex;
- Maximum number of devices on the network of 32;
- USB connection with Micro-B connector;
- Internal 120 Ohms termination resistor, jumper-enabled;
- RS485 bus protection: ± 30 kv ESD. Very robust three-stage protection;
- Resistant to lightning strikes and damage caused by electrostatic discharge;
- High immunity to electromagnetic interference (EMI) and radio frequency (RFI) and current surges, ideal for data communications near transformers, heavy electrical equipment, and other electrical or radio interference;
- 2.5kV / 60Hz / 1 minute isolation between USB and bus;
- Easy installation and use;
- 2 years warranty;

OPTIONAL FEATURES

- 4kV / 60Hz / 1 minute isolation between USB and power;
- 2kV / 60Hz / 1 minute isolation between busbar and power;

DIMENSIONS

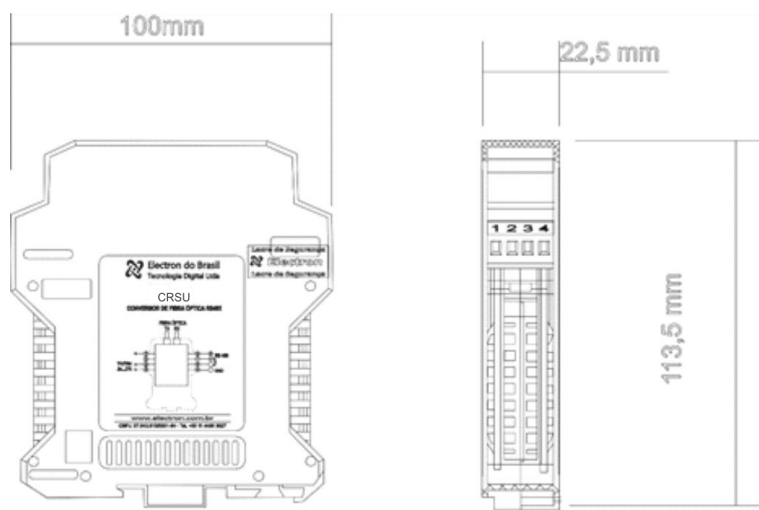


Image 1- Dimensinos

CONNECTION DIAGRAM

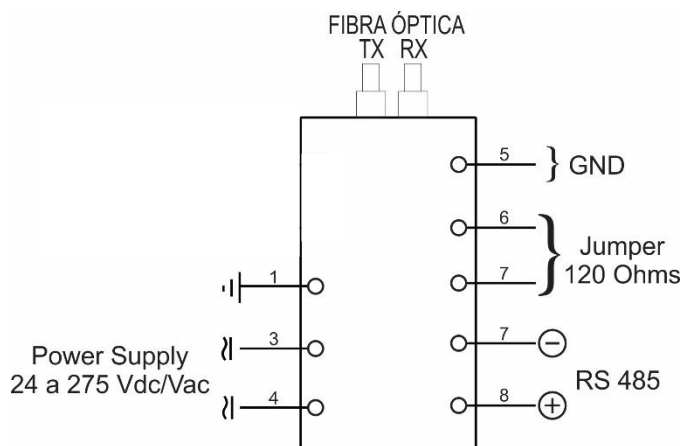


Image 2 - Connection Diagram