



Lockout Relay - 86

Manual

INDEX

INDEX.....	2
INTRODUCTION	3
MAIN FEATURES	3
TYPE TESTS CARRIED OUT	3
PLUGGLEBLE SYSTEM	3
TECHNICAL DATA.....	4
DIMENSIONS	4
GETTING TO KNOW THE RB-86	5
CONNECTION DIAGRAM	6
OPERATING DIAGRAM	7
SPECIFICATION FOR ORDER.....	8
WARRANTY TERM	8

INTRODUCTION

The Locking Relay can be used in the most diverse AC or DC circuits that have the purpose of blocking the operation of an equipment and that it only returns to the normal state of operation after the Locking Relay is rearmed, through the intervention of the operator, activating the manual reset button

Usually the Locking Relay is used in conjunction with protective equipment such as: Sudden Pressure Relay;

- Buchholz Gas Relay;
- Magnetic Level Indicators;
- High and low voltage circuit breakers;
- Protective equipment in general;

MAIN FEATURES

- Universal Power from 48 to 265 Vdc/Vac;
- Operating Temperature: -40°C to 85°C;
- 2 NAG relays of 10A at 220Vac or 0.5° at 125 Vdc to operate up to 100,000 times;
- Insulation of 1.5KV / 60 Hz / 1 min.
- Compact Box with 22.5x100x113.5 mm in ABD for DIN rail 35 mm;
- Connectors with exclusive pluggable system "Pluggable system";
- Easy Installation and Application;
- Connectors with exclusive "Pluggable System" system
- 2 years warranty;

TYPE TESTS CARRIED OUT

- Insulation voltage (IEC 60255-5): 1.5kV / 60Hz / 1 min (ground);
- Rapid electrical transient immunity (IEC 60255-22-1): 2.5 kV / 1.1 MHz / 2 sec / 400 peaks / s
- Voltage pulse (IEC 60255-5): 1.2ms / 5 kV / 3 neg. and 3 posts. / 5 s.

PLUGGLEBLE SYSTEM



Figure 1 – System Pluggable

TECHNICAL DATA

Lockout Relay – ANSI 86 function	
Operating voltage range	48 to 265 Vdc/Vac.
Insulation 60HZ/1Min	2KV
Operating temperature	-40°C to +85°C
Storage Temperature	-50 °C to 50 °C
External command input	Dry Contact.
Relay output contacts	2 PAL
Maximum Switching Voltage	250 Vac / Vdc
ANSI Function	86
Maximum current 220VAC	10 A
Maximum current 125VDC	0.5 A
Dimension	22.5x100x113.5 mm
Fixation	DIN rail 35 mm;
Degree of protection	IP20
Case material	ABS Plastic – PA66

Table 1 - RT-49 technical data

DIMENSIONS

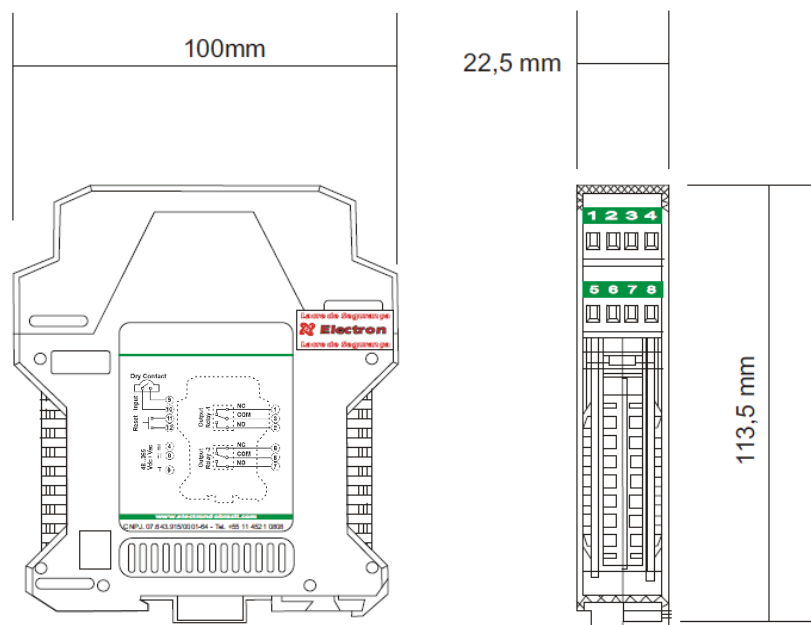
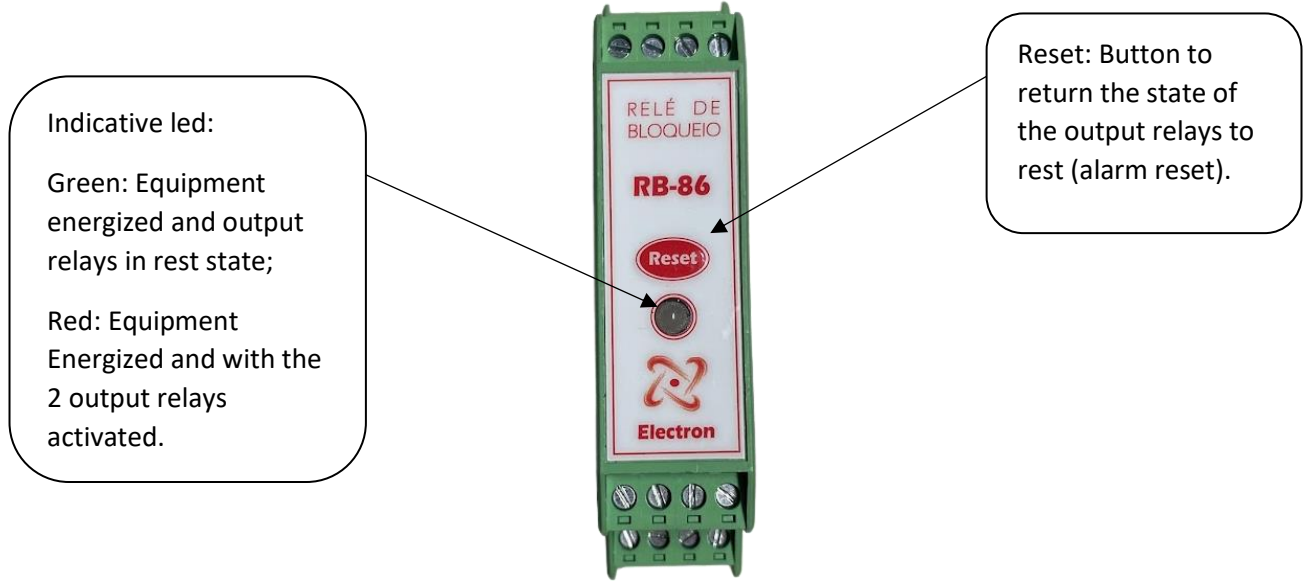


Figure 2 – Dimension Illustration.

GETTING TO KNOW THE RB-86



Indicative led:

Green: Equipment energized and output relays in rest state;

Red: Equipment Energized and with the 2 output relays activated.

Reset: Button to return the state of the output relays to rest (alarm reset).

Figure 3 – Getting to know the RB-86

CONNECTION DIAGRAM

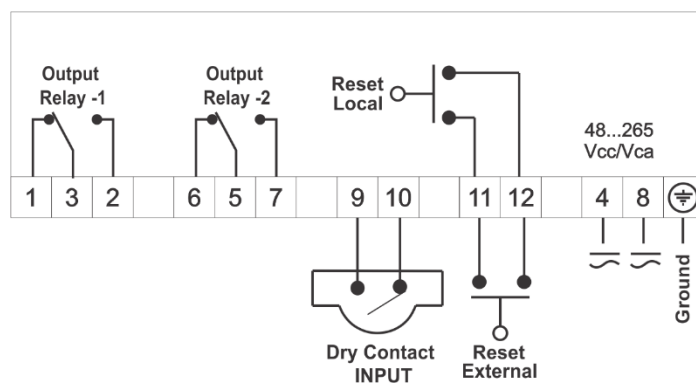
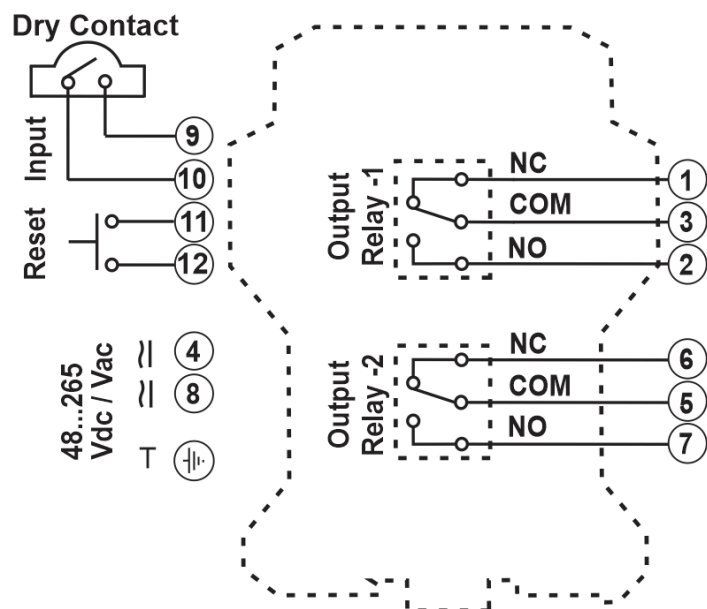


Figura 4 – Ilustração Diagrama de conexão

OPERATING DIAGRAM

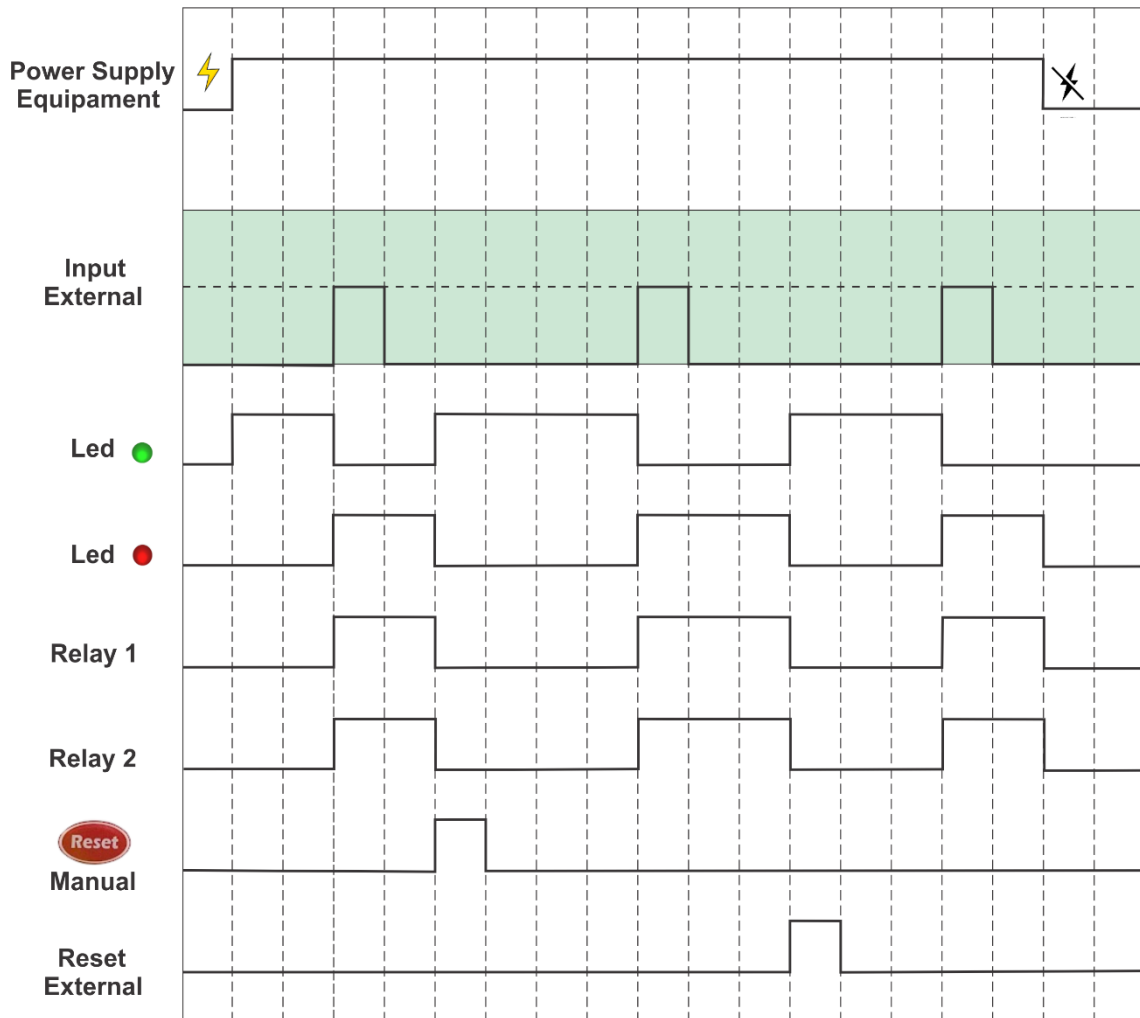


Figure 5 – Diagram of operation

SPECIFICATION FOR ORDER

Equipment: lockout relay 86
Product Code: PA0037.

Click on the link below to request a quote directly through our website:
<https://electron.com.br/site/produtos/rb86/>

WARRANTY TERM

The RB-86 Block Relay has two years of warranty that count from the date of sale confirmed on the invoice. The equipment is insured against defects that make it inapplicable or inappropriate to its application.

Disclaimer of Warranty

The warranty does not cover transportation expenses for technical assistance, freight and insurance for shipment of product with evidence of defect or malfunction. The following events are also not covered: Natural wear of parts by continuous and frequent use, damage to the outside caused by falls or improper packaging; attempted repair / violation of seal with damage caused by persons not authorized by Electron and in disagreement with the instructions that are part of the technical description.

Loss of Warranty

The product will automatically lose its warranty when:

- The instructions for use and assembly contained in this manual and the installation procedures contained in Standard NBR 5410 are not observed;
- Subjected to conditions outside the limits specified in the respective technical descriptions.
- Breached or repaired by a person other than Electron's technical team;
- the damage is caused by a fall or impact;
- Infiltration of water or any other liquid occurs;
- Overload occurs that causes degradation of components and parts of the product

Use of the Warranty

To take advantage of this guarantee the customer must send the product to Electron along with a copy of the purchase invoice duly packed so that there is no damage in transport. For an emergency service it is recommended to send as much information as possible regarding the defect detected. The equipment will be analyzed and subjected to complete operating tests.

The analysis of the product and its eventual maintenance will only be carried out by the technical team of Electron do Brasil at its headquarters.